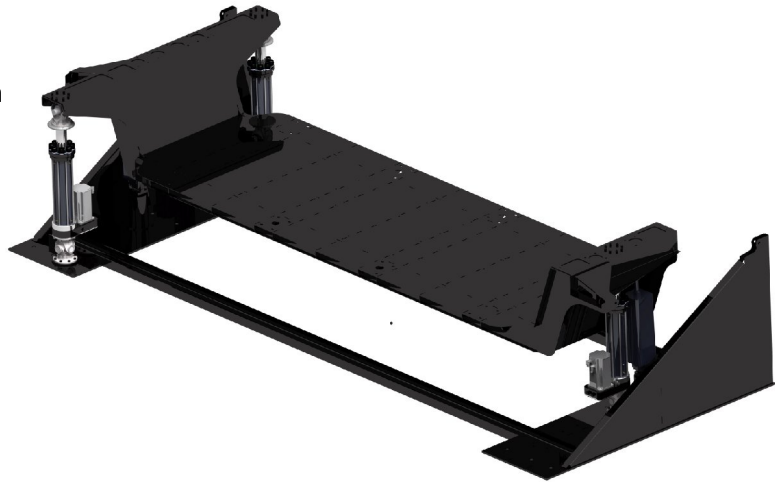


eMove eM3-300-3000

The eMove eM3-300-3000 is a three degrees of freedom electric motion system specifically designed for use in railway simulation systems in facilities with a low ceiling. The static weight of the moving frame and the payload is supported by pneumatic cylinders.



Typical applications are railway simulators such as train, metro and tram training systems.

System performance

	Single dof excursions		Velocity		Acceleration	
	min	max				
Heave	-0.15	0.15 m	0.5	m/s	5	m/s ²
Roll	-2.8	2.8 deg	11	deg/s	*	deg/s ²
Pitch	-7.1	7.1 deg	28	deg/s	*	deg/s ²

* depending on customer cabin

Payload specification

Gross moving load	3000 kg (payload including moving frame)
Net payload	2500 kg

Main dimensions

Total width	5.200 m
Total length	2.300 m
Total height	1.353 m
Settled height (floor to top of moving platform)	0.636 m
System weight	2000 kg

Power requirements

Mains power	3-phase 380-480 VAC +/- 10%, 50/60Hz
-------------	--------------------------------------