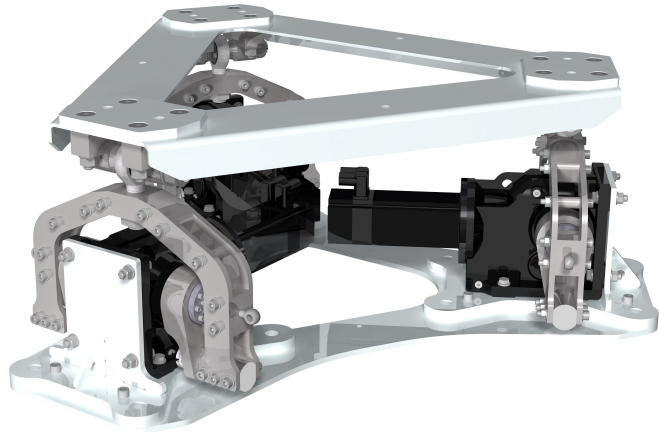


# eMove eM3-ROT-800

The eMove eM3-ROT-800 is a compact, three degrees of freedom (pitch, roll, heave) electric motion system with rotary actuators, designed for use in simulation systems with low payload that do not necessarily require six degrees of freedom.

Typical applications are simulators for construction and mining equipment, driving simulators, entertainment, etc.



## System performance

	Single dof excursions		Velocity		Acceleration	
	min	max				
Heave	-0.10	0.10 m	0.3	m/s	5	m/s <sup>2</sup>
Roll	-12.3	12.3 deg	15	deg/s	100	deg/s <sup>2</sup>
Pitch	-14.1	14.7 deg	15	deg/s	100	deg/s <sup>2</sup>

## Payload specification

Gross moving load	800 Kg (payload including upper frame)	
CoG height above MPC*	500 mm	
Moments of Inertia	Ixx	500 kg m <sup>2</sup>
	Iyy	500 kg m <sup>2</sup>

\* CoG: Center of Gravity - MPC: Moving Platform Centroid

## Main dimensions

Ground circle diameter	1.2 m (excluding control cabinet)
Settled height (floor to top of platform)	0.5 m (excluding control cabinet)
System weight	400 kg

## Power requirements

Mains power	3-phase 380-480 VAC +/- 10%, 50/60Hz
-------------	--------------------------------------