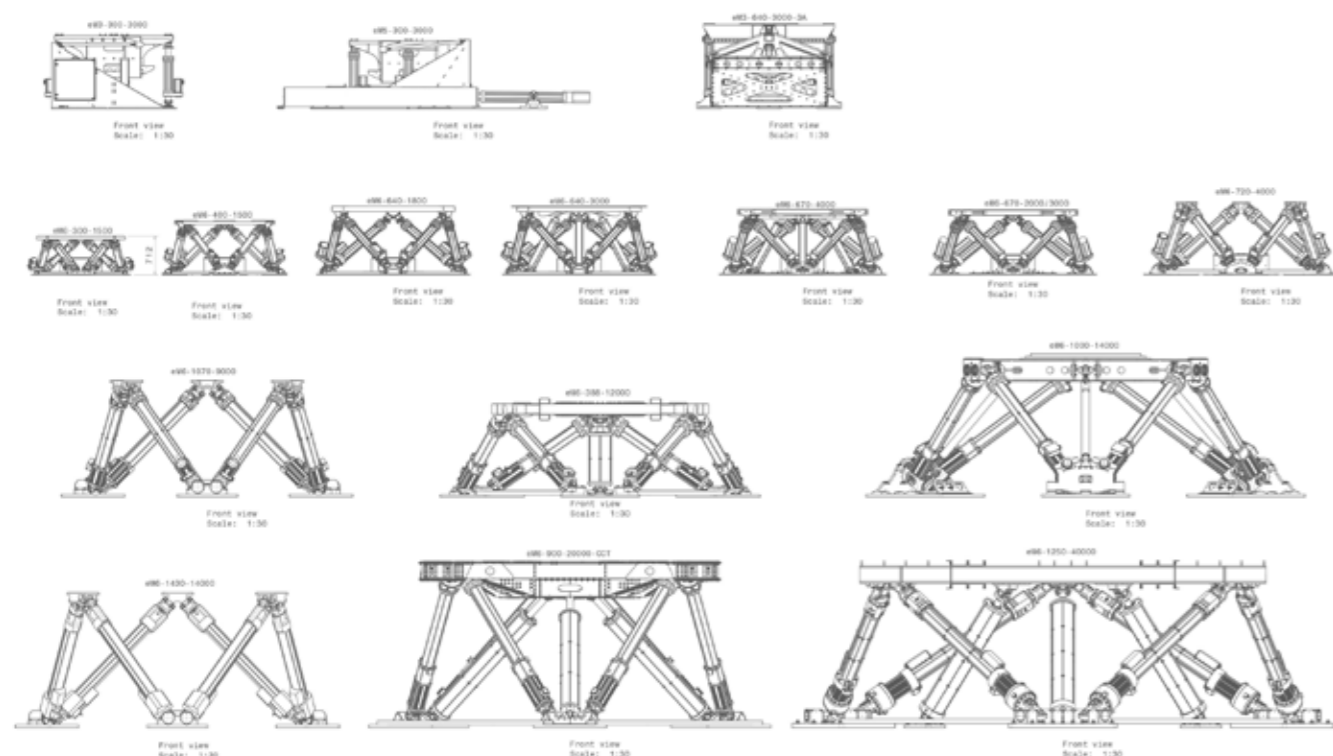


Motion for the long run

E2M creates systems for the long-term. The use of durable, proven mechanics and industrial, commercial of the shelf electronics means all our systems can be used for decades with a very low cost of ownership.



Why E2M?

Take advantage of the latest motion technology.

Motion Quality

Advances in motor design, ball screw manufacturing, electronics and software have contributed to unprecedented smoothness and optimal use of motion workspace in the latest E2M motion systems.

Reliability

A measured MTBF of over 6 years shows something we at E2M already knew: E2M systems are the most reliable motion systems around. And even if something goes wrong there is always our much praised 24/7 customer support service.

Value

By using COTS components where possible and clever mechatronic design where needed E2M has achieved the best value proposition in the market across our entire product line.

E2M technologies

Head office

Pedro de Medinalaan 17, 1086 XP Amsterdam, The Netherlands
+31 (0)20 707 09 01 | info@e2mtechnologies.eu | www.e2mtechnologies.eu

USA office

3300 Powell St, Ste 201, Emeryville, CA 94608, United States of America
+1 510 368 5560 | info@e2mtechnologies.com | www.e2mtechnologies.com

ELECTRIC MOTION SPECIALISTS

Level D certified electric motion & control loading systems

E2Mtechnologies.com



Certified flight simulation

Enhance the realism of your training and improve your competitive edge by choosing E2M as your partner for certified motion and control loading systems.

E2M electric motion and control loading systems comply with worldwide level D requirements and ICAO 9625 type VII.

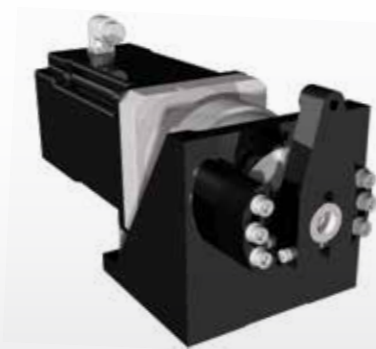
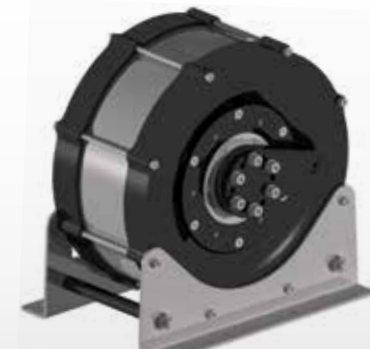
Pilot training eMove motion

The most advanced motion technology ever in a fully electric motion system.



Pilot training eForce control loading

Smooth, high performance actuators for primary and secondary controls.



Cabin Crew training

6 DOF electric motion systems up to 40 ton GML



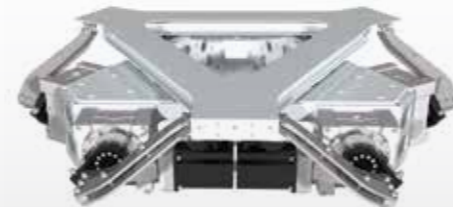
Ground vehicle simulation

E2M is the standard choice for many integrators of a variety of military and commercial driving trainers.

From low profile rotary actuator motion systems to high performance linear actuated hexapods, there is an E2M motion system for each specific situation.

Driver training eMove motion

Proven technology. Robust, reliable and cost-efficient. Up to 4000 kg GML.



Driver training eForce control loading

Professional force feedback systems for steering wheel and brake pedal.



Railway simulators

3 to 6 DOF electric motion systems, also for low ceiling requirements



Entertainment

Over-determined motion technology to enable redundancy to comply with the highest safety requirements. Your 3D/4D/5D theatre ride will NEVER go

beyond the operational motion envelope, even in the case of a critical failure, e.g. one of the joints snaps, or the actuator in whole collapses.

Entertainment



Miscellaneous

Custom system design, adaptations of standard systems, tailor-made upper structures with projection displays or

increased performance, E2M is your partner for a wide variety of applications.

Electric simulation testing platforms



For specifications and product code explanation, please visit www.E2Mtechnologies.com